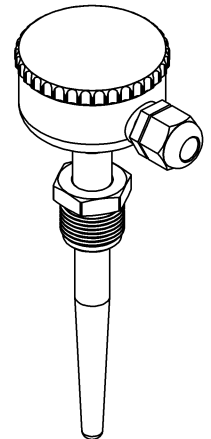


Azco™ Ruggedised Temperature Probe

Specifications

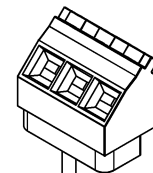
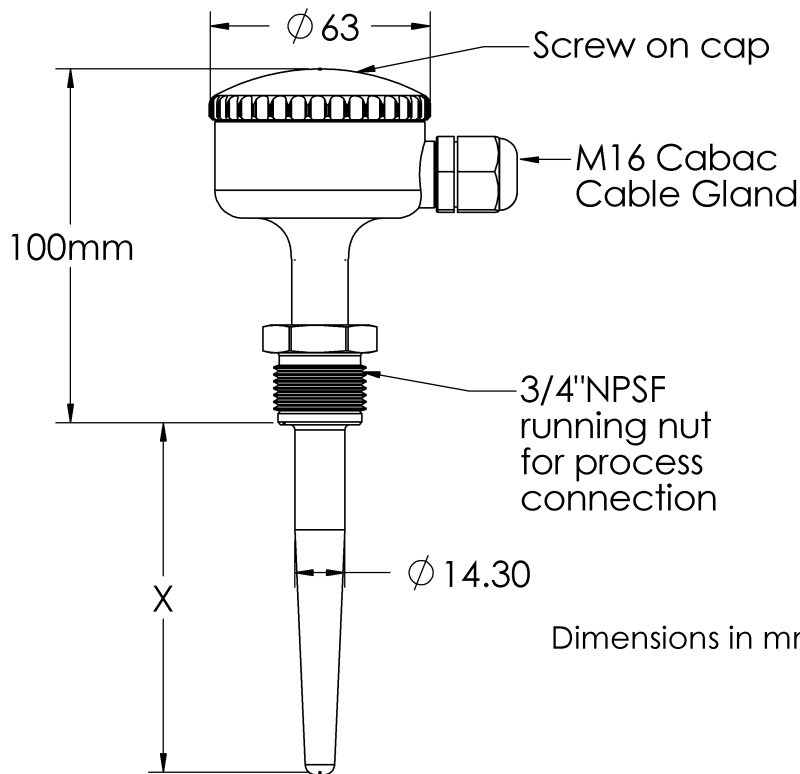
Housing : 316 Stainless Steel
 Protection : Endorsed IP66/IP68 (Note 1)
 Probe : 316 Stainless Steel, length as ordered
 Sensor : Replaceable insert type
 : PT100 (385), Class A, 3 wire
 Range : -10 deg C to +215 deg C
 Response : < 5 seconds (63.2% of ultimate value)



Note 1 : To achieve full IP66/IP68 ingress protection
 (A) Use 2 complete turns of thread seal tape on cable gland
 (B) Tighten cap until seal touches housing and then add 25 degrees of rotation.

Note 2 : Tighten connector screws max 0.6 Nm

Note 3 : Apply light application of heatsink paste to tip of insert on replacement.



Sensor Insert

Dimensions in mm

Ordering Information : Note - X denotes insertion depth
 Stock size is 100mm other lengths to order

Part Number	Description
R-316-X	Bare Housing
RR-3-X-316	Ruggedised Probe, complete with Cable gland, Sensor insert, Sanitary Seal
R-3-X	Sensor Insert

For Azco Holdings Limited terms of warranty see over page.

Warranties, Liability and Indemnity

- 1.0 Azco Holdings Limited warrants that for a period of twelve months from the date of delivery, goods supplied will be free from any defects in materials or workmanship due to any negligence or default on the part of Azco Holdings Ltd. In the event of such a defect being notified by the client to Azco Holdings Ltd within the said period, Azco Holdings Ltd may, at its own discretion, replace or repair the goods, or refund moneys paid by the Client for the goods. Azco Holdings Ltd may require the return of the goods before providing any replacement goods or making any repairs or refund.
- 1.1 Except as provided in clause 1.0, Azco Holdings Ltd shall have no liability in relation to defective goods and all other conditions, warranties, descriptions, conditions as to fitness or suitability for any purpose, tolerance to any conditions, merchantability or otherwise (whether of a like nature or not) and whether expressed or implied by law, trade, custom or otherwise are expressly included. No agent or representative of Azco Holdings Ltd is authorised to make any representations, warranties, conditions or agreement not expressly confirmed by Azco Holdings Ltd in writing and Azco Holdings Ltd is not in any way bound by any such unauthorised statements nor shall any such statements be taken to form a contract or part of a contract with Azco Holdings Ltd.
- 1.2 In any case :
- (a) The liability of Azco Holdings Ltd, whether in contract or pursuant to any cancellation of any contract or in tort or otherwise, in respect of all claims for loss, damage or injury arising from breach of any of Azco Holdings Ltd's obligations arising under or in connection with any contract, from any cancellation of any contract or from any negligence, misrepresentation or other act or omission by Azco Holdings Ltd, its servants, agents or contractors shall not in aggregate exceed the sums paid pursuant to the contract by the client.
 - (b) Azco Holdings Ltd is not liable for any loss of profits or any special, indirect, incidental or consequential damage, loss or injury of any kind suffered by the client arising directly or indirectly from any breach of Azco Holdings Ltd's obligations under or in connection with any contract or from any cancellation of any contract or from any negligence, misrepresentation or other act or omission on the part of Azco Holdings Ltd, its servants, agents or contractors.
 - (c) Azco Holdings Ltd does not warrant that the manufacture of or use of products, or use of information or methods, developed or provided under any contract is not an infringement of the intellectual property rights of third parties.
 - (d) Azco Holdings Ltd will not be liable for any damage, loss or injury suffered by the client due to the client in any way using or relying upon any services, information or goods supplied by Azco Holdings Ltd to the Client, and the Client shall indemnify Azco Holdings Ltd against any liability incurred by Azco Holdings Ltd arising from Azco Holdings Ltd endeavoring to achieve project aims, or from the provision of services, information or goods by Azco Holdings Ltd to the Client, or from the use or reliance upon such services, information or goods by the Client.